



# 007 Series Straight Cut Punches

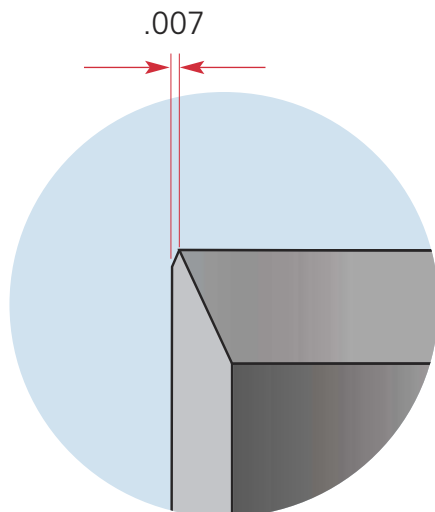
Designed for applications that require a razor-sharp and accurate cut.



THE ORIGINAL  
**W 007**  
STRAIGHT CUT PUNCHES

- 4130 High Carbon Steel
- Minimum Support, Inside Bevel Punch
- Reduced wall thickness allows for the use of larger springs when needed.
- A cut above a traditional straight O.D!

Designed for the Printed Circuit and Membrane Switch Industries, as well as other diecutting applications that require a sharp, straight cut. Wagner's 007 Series punches cut cleanly with much less pressure than a traditional straight wall (straight o.d.) punches.



Wagner 007's .007" support bevel allows for reduced wall thickness, use of large springs when needed, and provides straight, accurate cuts with reduced pressure.

## Cutting Edge Technology from the punch experts at Wagner!

007 SERIES - Sizes available in stock					
Base Size	Cut Size	Base Size	Cut Size	Base Size	Cut Size
9/64	1/8	9/32	17/64	27/64	13/32
5/32	9/64	19/64	9/32	29/64	7/16
11/64	5/32	21/64	5/16	15/32	29/64
13/64	3/16	11/32	21/64	31/64	15/32
7/32	13/64	23/64	11/32	33/64	1/2
15/64	7/32	25/64	3/8	Available heights in stock: .937 and .918	
17/64	1/4	13/32	25/64	Other heights available upon request.	

### West

2041 Elm Court, Ontario, CA 91761  
Local: 909-947-3044 • Fax: 909-923-7809

### Southwest

827 S. Great S'west Pkwy., Grand Prairie, TX 75051  
Local: 214-630-4695 • Fax: 214-630-5425

### Midwest

960 Industrial Drive, Elmhurst, IL 60126  
Local: 630-782-6230 • Fax: 630-782-6220

**800-423-4478** TOLL-FREE ALL LOCATIONS!

[www.wagnerdiesupply.com](http://www.wagnerdiesupply.com)  
[sales@wagnerdiesupply.com](mailto:sales@wagnerdiesupply.com)