



Wagner Extractor 2000

Ensure that the Jaw Cap Screws are securely tightened!



Before daily use, ***always check to make sure that the Allen Head Cap Screws that hold the Pulling Jaws to the Levers are snugly tight.***

Always check both sides. To tighten, use the Allen Head Wrench provided with your Extractor [3/32" Allen Hex Wrench]. Do not over-tighten, the screws need only to be snug to the lever arms - so there is no 'play'.

This will ensure maximum Extractor 2000 operation, and prevent causing damage to the jaws and related Extractor mechanisms.

See the attached instruction sheets for more information.

W West

2041 Elm Court, Ontario, CA 91761
Local: 909-947-3044 • Fax: 909-923-7809

W Southwest

827 S. Great S'west Pkwy., Grand Prairie, TX 75051
Local: 214-630-4695 • Fax: 214-630-5425

W Midwest

960 Industrial Drive, Elmhurst, IL 60126
Local: 630-782-6230 • Fax: 630-782-6220

800-423-4478 TOLL-FREE ALL LOCATIONS!

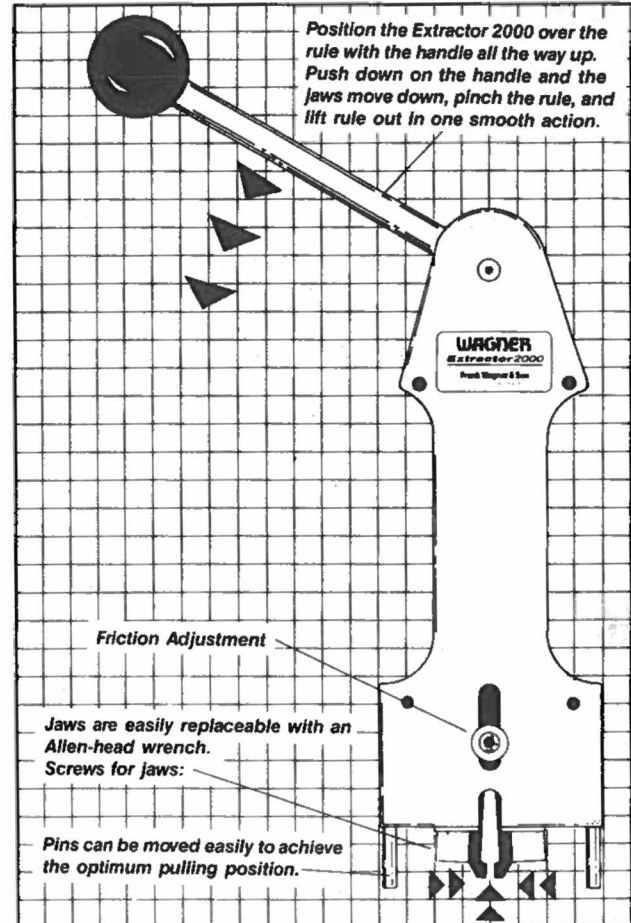
www.wagnerdiesupply.com
sales@wagnerdiesupply.com



Wagner Extractor 2000

Features and Operating Instructions

- Pulls rule straight up, does not ruin kerf.
- Pins are moveable for various die configurations.
- Will pull up to 1 1/2" high rule up to 4 pt. in thickness! (with standard pins)
- Hands are safely away from material.
- Jaws are low-cost and easily replaced, no brazing or soldering needed!
- 2" rule can be pulled by changing replaceable pins with longer ones!
- Can be easily operated by both left and right-handed users!
- Smooth lever action generates up to 600 lbs. of pulling power!
- Ergonomically designed for user comfort and safety.
- Operates with minimal user effort!
- Tough, rugged construction.



U.S. PATENT #D363,864

IMPORTANT OPERATING INSTRUCTIONS

1. JAWS

BEFORE USING THE EXTRACTOR 2000 MAKE SURE THE ALLEN SCREWS HOLDING THE JAWS ARE TIGHT (THEY MAY LOOSEN WITH USAGE) AND THIS MAY CAUSE THE SCREWS TO BREAK.

IF MORE THAN 60 LBS OF PRESSURE IS APPLIED TO THE PULLER HANDLE, IT IS POSSIBLE THAT THE SCREWS HOLDING THE JAWS MAY BREAK. THIS MEANS THAT THE PULLER HAS EXCEEDED 600 LBS. OF PULLING POWER. EXTRA SCREWS HAVE BEEN PROVIDED IN THE EVENT THAT THIS HAPPENS.

2. RUSTY OR CORRODED DIES

EVALUATE THE DIE WHICH YOU MAY BE PULLING RULE FROM. IF RESISTANCE TO PULLING IS A PROBLEM, SUCH AS RUST, TURN THE DIE OVER AND SPRAY THE RULE WITH WD-40 OR A SIMILAR PRODUCT WAIT FOR A WHILE AND RETRY THE PULLER.

3. FRICTION ADJUSTMENT

THE PULLER NEEDS TO HAVE A LITTLE FRICTION WHEN MOVING THE HANDLE UP AND DOWN. THIS IS ESPECIALLY IMPORTANT WHEN PULLING RULE AROUND RUBBERED AREAS, THE JAWS HAVE A TENDENCY TO CLOSE WHEN PUSHING JAWS DOWN ON THE RUBBER. IF THE FRICTION SEEMS ON THE LIGHT SIDE, YOU CAN TIGHTEN THE FRICTION WASHERS (WHICH ARE LOCATED ON THE OUTSIDE OVER THE OVAL SLOT) BY HOLDING THE NUT WITH A WRENCH AND TURNING THE ALLEN BOLT ONLY A PARTIAL TURN. DO NOT OVER-TIGHTEN OR FLATTEN THE CURVED WASHER. OVER-TIGHTENING MAY CAUSE BINDING AND EXCESSIVE INTERNAL WEAR.

SEE OTHER SIDE FOR MAINTENANCE INSTRUCTIONS.



2041 Elm Court, Ontario, CA 91761
Local: 909-947-3044 • Fax: 909-923-7809



827 S. Great S'west Pkwy., Grand Prairie, TX 75051
Local: 214-630-4695 • Fax: 214-630-5425



960 Industrial Drive, Elmhurst, IL 60126
Local: 630-782-6230 • Fax: 630-782-6220

800-423-4478 TOLL-FREE ALL LOCATIONS!

www.wagnerdiesupply.com

sales@wagnerdiesupply.com



Wagner Extractor 2000

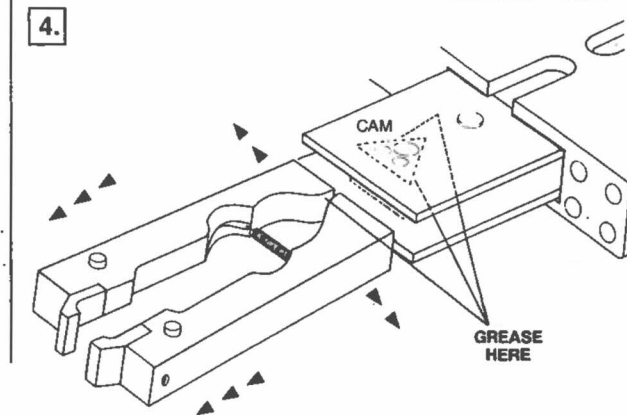
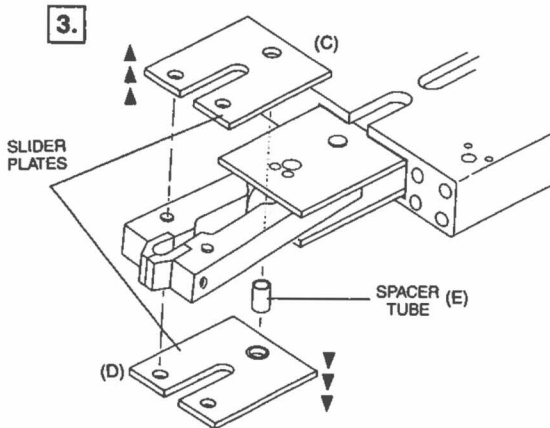
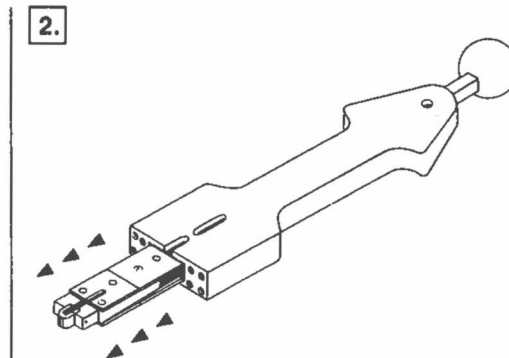
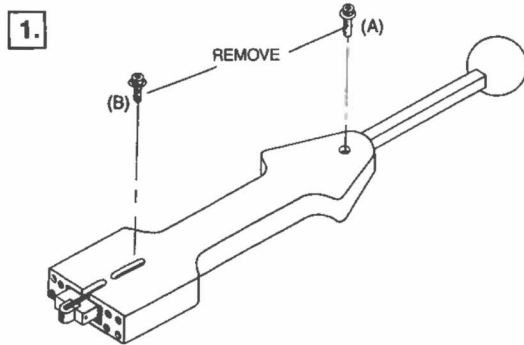
Care & Maintenance

THE WAGNER EXTRACTOR 2000 MAY NEED LUBRICATING PERIODICALLY, DEPENDING UPON THE AMOUNT OF USE. LACK OF LUBRICATION MAY RESULT IN THE LOSS OF GRIPPING POWER. THE EASY TO FOLLOW INSTRUCTIONS BELOW ARE PROVIDED TO HELP YOU LUBRICATE YOUR EXTRACTOR 2000 YOURSELF.

1. Remove the two socket head screws, the Handle Pivot Bolt (A), and the Drag Tension Bolt (B).
2. Slide internal assembly down out of the housing, the round knob on the end of the handle will prevent the assembly from completely coming out of the housing.
3. Remove the lower two slider plates (C & D) and Spacer Tube (E). (Reassembly Note: The Slider plates locate the spacer tube in position. Notice that each plate has a countersunk hole on one side to accommodate the spacer tube.)
4. Pull lever arms out and off of the Cam Assembly one at a time, leave the small spring connecting the two arms attached.

Apply grease at the Cam Assembly and the two end points of the Arms as shown.

Reassemble unit. (Note: Do not overtighten either the Handle Pivot Bolt or the Drag Tension Bolt, over-tightening may cause excessive wear and/or poor operation.)



2041 Elm Court, Ontario, CA 91761
Local: 909-947-3044 • Fax: 909-923-7809



827 S. Great S'west Pkwy., Grand Prairie, TX 75051
Local: 214-630-4695 • Fax: 214-630-5425



960 Industrial Drive, Elmhurst, IL 60126
Local: 630-782-6230 • Fax: 630-782-6220

800-423-4478 TOLL-FREE ALL LOCATIONS!

www.wagnerdiesupply.com
sales@wagnerdiesupply.com




Wagner Extractor 2000 Parts

ITEM	QTY IN MACH.	DESCRIPTION	WAGNER'S PART NUMBER
1	2	LEVER	
2	2	JAWS (SPECIFY STANDARD OR NARROW)	WWPULLERJAH / WWPULLERJSH
3	2	SLIDER, LOWER SET	
4	2	SLIDER, UPPER SET	
5	1	WEDGE	
6	1	SPACER	
7	1	NAMEPLATE	
8	1	LINK	
9	1	ARM	
10 & 30	1	HOUSINGS	
11	1	KNOB	
12	1	SETSCREW, STL	
13	1	SHOULDER BOLT, SS 1/4" DIA X 1" LONG	
14	1	FLAT WASHER, SS 3/16" ID X 3/8" OD	
15	1	ELASTIC LOCK NUT, SS	
16	2	DOWEL PIN, STL 1/4" DIA X 5/8" LONG	
17	6	SOC HD SCR, STL	WWPULLERJ/S
18	4	SOC HD ALLEN NUT, STL	
19	2	SOC HD FLT HD SCR, STL	
20	2	DOWEL PIN, STL 1/8" DIA X 5/8" LONG	
21	1	SOC HD SCR, SS	
22	1	ELASTIC LOCK NUT, SS	
23	4	CURVED SPRING WSR, SS .260" ID X .550" OD	
24	2	FLAT WASHER, SS 9/32" ID X 5/8" OD	
25	2	NYLON WASHER 1/4" ID X 11/16" OD	
26	4	DOWEL PIN 1/4" DIA. X 1-3/4" OR 2" (SPECIFY LENGTH)	WWPULLERP-1 / WWPULLERP-2
27	1	EXTENSION SPRING, STL .120" OD X .500" LONG	
28	2	DOWL PIN 3/16" DIA X 5/8" LONG	
29	4	O-RING FOR FOOT PINS 1/4" ID X 3/8" OD	
		ACCESSORIES	
		SET OF EXTRACTOR PADS 3/4" HIGH	WWPULLERFPD
		SET OF EXTRACTOR PADS 1" HIGH	WWPULLERFPI

West

2041 Elm Court, Ontario, CA 91761
 Local: 909-947-3044 • Fax: 909-923-7809

Southwest

827 S. Great S'west Pkwy., Grand Prairie, TX 75051
 Local: 214-630-4695 • Fax: 214-630-5425

Midwest

960 Industrial Drive, Elmhurst, IL 60126
 Local: 630-782-6230 • Fax: 630-782-6220

800-423-4478 TOLL-FREE ALL LOCATIONS!

www.wagnerdiesupply.com
sales@wagnerdiesupply.com